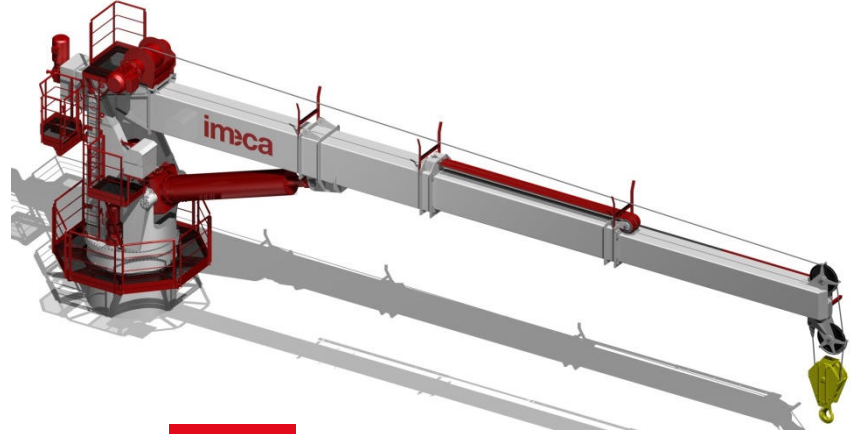
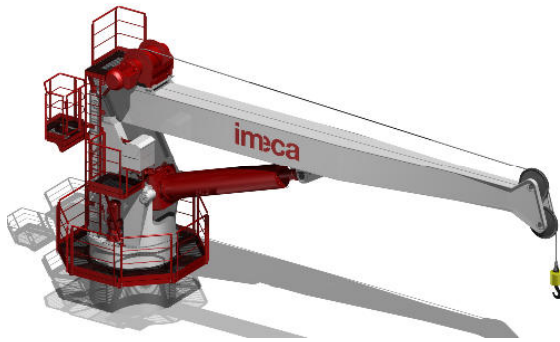




FIXED & TELESCOPIC BOOM CRANES

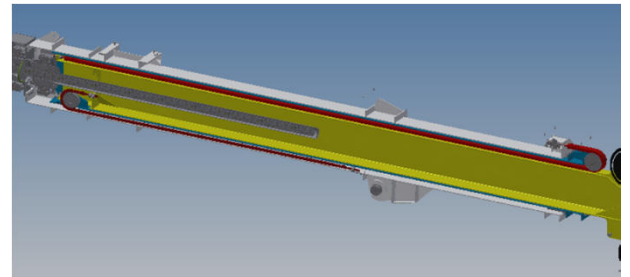


Highlights

- › Full electric drive
- › Low power consumption
- › Turnkey delivery
- › Low weight
- › Environmental friendly
- › Fail safe
- › High efficiency
- › Low temperature resistant

Options

- › Cabin and/or remote control
- › Galvanized or GRP platforms
- › Personnel lift



Telescopic Boom

		DCET 50	DCET 80	DCET 125	DCET 180	DCET 250	DCET 375	DCET 540
Max Safe Working Load	[t]	5	10	10	15	25	30	30
Outreach @ max SWL*	[m]	10	8	12	12	10	12	18
Lifting moment	[tm]	50	80	125	180	250	375	540
Total moment	[tm]	80	130	200	300	400	600	864
Pedestal diameter	[mm]	1250	1400	1600	1800	2000	2240	2500

Fixed Boom

		DCES 55	DCES 90	DCES 140	DCES 200	DCES 275	DCES 410	DCES 600
Max Safe Working Load	[t]	5	10	10	15	25	30	30
Outreach @ max SWL*	[m]	10	9	14	13	11	13,5	20
Lifting moment	[tm]	55	90	140	200	275	410	600
Total moment	[tm]	80	130	200	300	400	600	864
Pedestal diameter	[mm]	1250	1400	1600	1800	2000	2240	2500

Non contractual data | Contact us for details | REEL © 2016